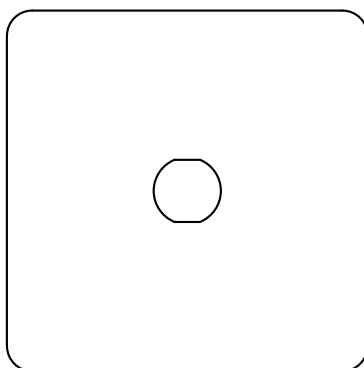
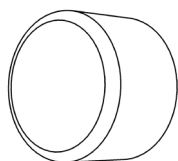


10-LTS241

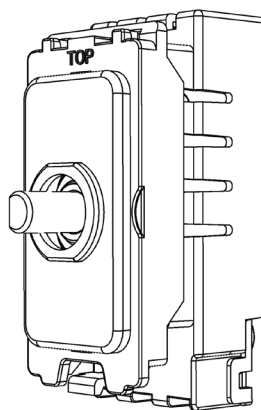
# 1 Gang 400W Intelligent Dimmer - Flat Plate



10-GRD132



SGP146



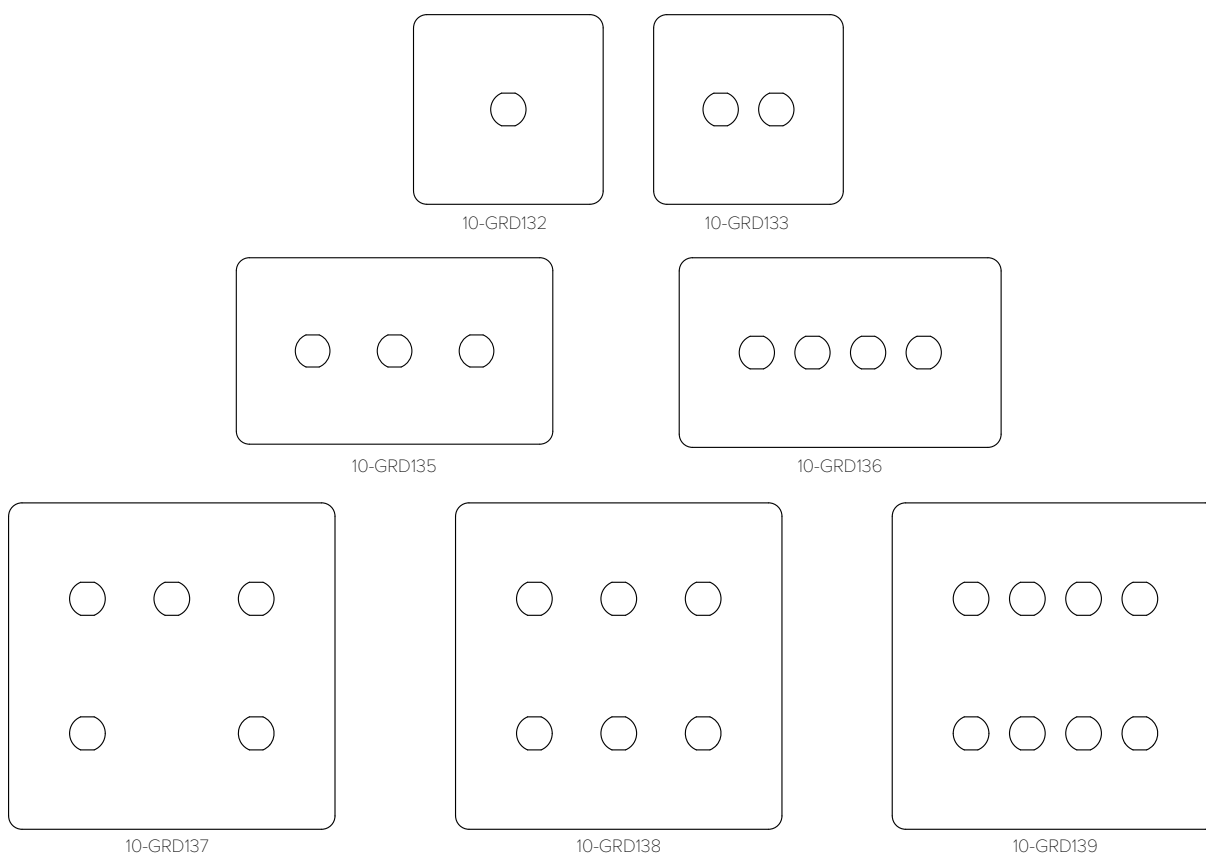
Enkin PDM400 & SOHO Grid Adapter

## Contents

<b>10-GRD132</b>	1 Gang Circular Hole Grid Plate - Flat
	<ul style="list-style-type: none"> <li>— <b>10-PLT132</b> 1 Gang Circular Hole Flat Grid Plate</li> <li>— <b>10-EDG010</b> Single Flat Type Gasket</li> <li>— <b>SGPYLK-12</b> Single Grid Frame (Yoke)</li> </ul>
<b>SGP146</b>	CM-Grid Dimmer Knob
<b>Enkin PDM400</b>	400W Intelligent Dimmer with Soho CM Grid Adapter
<b>Trademarks</b>	The Soho Lighting Company is a registered trade mark number: UK00003313349, EU017906396, Date: 25 May 2018

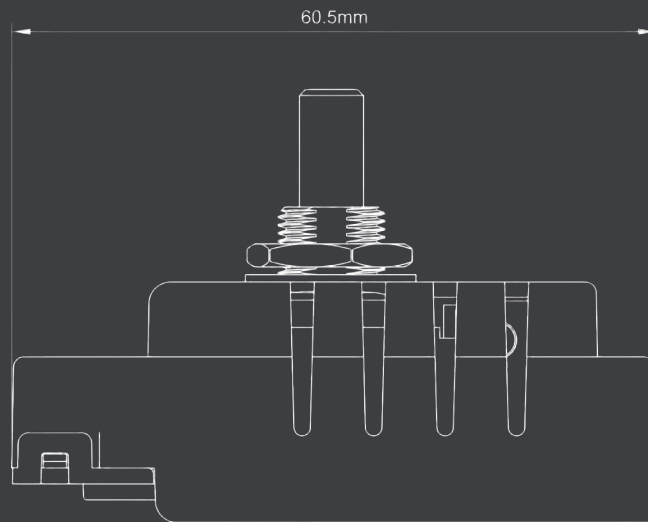
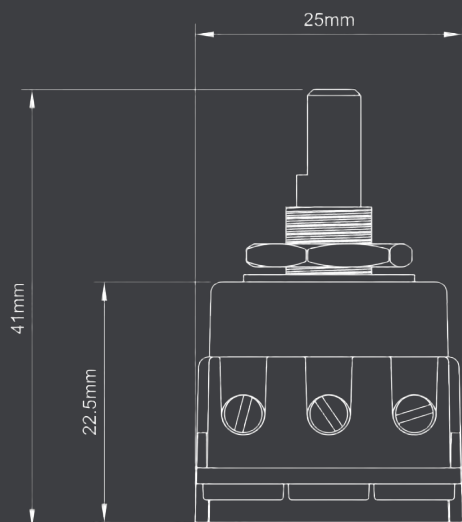
POWERED BY  
**ENKIN**

# 10-GRD132-139



## TECHNICAL SPECIFICATION

Standard(s)	BS 5733 (Where Applicable)
Mounting Box Depth (Recommended)	47mm
Earth Terminal Capacity	3 x 2.5mm <sup>2</sup> , 2 x 4.0mm <sup>2</sup> , 1 x 6.0mm <sup>2</sup> (EARTH)
Fixing Centres	60.3mm (Single width) 120.6mm (Double Width)
Size - (1 Gang) 10-GRD132	86mm x 86mm x 4mm (Plate Thickness Inc. Gasket)
Size - (2 Gang) 10-GRD133	86mm x 86mm x 4mm (Plate Thickness Inc. Gasket)
Size - (3 Gang) 10-GRD135	86mm x 146mm x 4mm (Plate Thickness Inc. Gasket)
Size - (4 Gang) 10-GRD136	86mm x 146mm x 4mm (Plate Thickness Inc. Gasket)
Size - (5 Gang) 10-GRD137	146mm x 146mm x 4mm (Plate Thickness Inc. Gasket)
Size - (6 Gang) 10-GRD138	146mm x 146mm x 4mm (Plate Thickness Inc. Gasket)
Size - (8 Gang) 10-GRD139	146mm x 146mm x 4mm (Plate Thickness Inc. Gasket)
Product Class 1	Face plate must be earthed
Ambient Operating Temperature	-5° to +40°C
Recommended Location	Internal Use Only
Maximum Installation Altitude	2000m
IP Rating	IP2XD
Trademarks	The Soho Lighting Company is a registered trade mark number: UK00003313349, EU017906396, Date: 25 May 2018



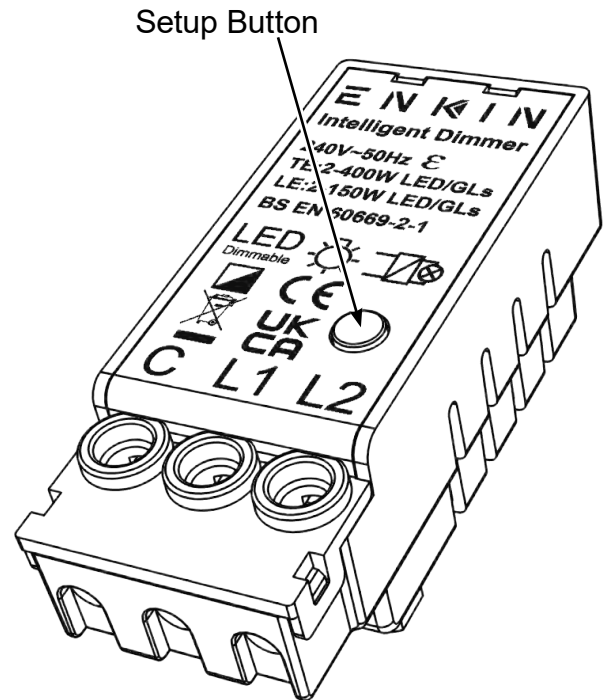
<b>Markings &amp; Standard(s)</b>	CE, UKCA, BS EN 60669-2-1
<b>Operating Voltage</b>	220-240V AC
<b>Main Frequency</b>	50Hz
<b>Minimum Load</b>	2W LED (2W Incandescent/Halogen)
<b>Maximum Load</b>	400W LED (400W Incandescent/Halogen)
<b>Switch Type</b>	Two Way
<b>Dimming Protocol</b>	Trailing edge & Leading Edge Phase Control
<b>Mounting Box Depth (Min)</b>	35mm
<b>Terminal Capacity</b>	1 x 4mm <sup>2</sup> / 1 x 2.5mm <sup>2</sup> / 3 x 1.5mm <sup>2</sup> / 4 x 1mm <sup>2</sup>
<b>Terminal Markings</b>	C (Live), L1 (Switched Live), L2 (2-way)
<b>Neutral Required</b>	No
<b>Short Circuit Protection</b>	Yes
<b>Overload/Overcurrent Protection</b>	Yes
<b>Thermal Protection</b>	Yes - Thermal resettable fuse
<b>Soft Start</b>	Yes
<b>Power Failure</b>	Previous State Recall
<b>Memory</b>	Non Volatile
<b>Min/Max Level Setting</b>	Yes - Following a defined procedure
<b>Driving Mode</b>	Yes - TE & LE Mode Change Following a defined procedure
<b>Product Dimensions</b>	60.5mm x 14mm x 25mm
<b>Climate Range</b>	0°C to 40°C, Humidity 0% to 95% non-condensing
<b>Recommended Location</b>	Indoor Use Only
<b>Maximum Installation Altitude</b>	2000m
<b>IP Rating</b>	IP2XD
<b>Trademarks</b>	Enkin is a trading name of Trade Ivy. Registered in England Number: 10809945. Copyright © 2021



<b>Operating Voltage</b>	240V ac
<b>Nominal Operating Frequency</b>	50 Hz
<b>Dimming Technique</b>	Trailing & Leading edge phase control
<b>Compliance</b>	BS EN 60669-2-1

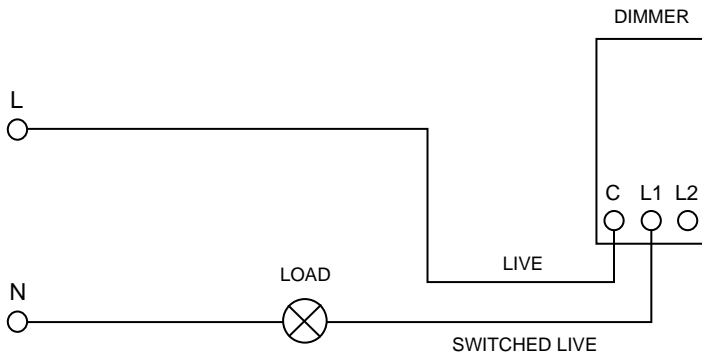
Load Symbol	Compatible Loads	Max Load	Min Load
	Dimmable LED lighting	400W TE 150W LE	2W
	240V Incandescent & Halogen lamps	400W TE 150W LE	2W
	Low voltage lighting with electronic transformers	400W TE 150W LE	2W

Multi-Gang Switch De-Rating Chart - LED Lighting				
1 Gang	2 Gang	3 Gang	4 Gang	5 Gang
400W	340W	280W	220W	160W

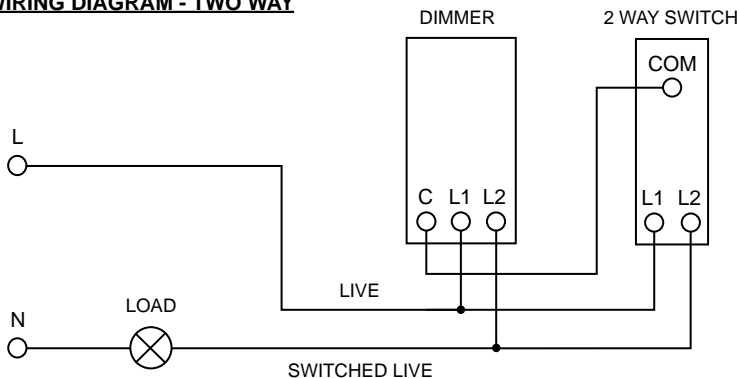


### WIRING EXAMPLES

#### WIRING DIAGRAM - ONE WAY



#### WIRING DIAGRAM - TWO WAY



### OPERATING INSTRUCTIONS

#### ON OFF & DIMMING FUNCTION

Dimmer switch is activated by pressing the dimmer shaft only, dimming function by rotating the dimmer shaft only.

#### REAR PANEL PRESS BUTTON - DIMMER SETUP SEQUENCES

##### Setting the Minimum Level

1. Whilst on, slowly adjust dimmer to your desired minimum brightness.
2. Push the rear setup button 3 times within 2 seconds.
3. The LEDs will step up and down in brightness once to confirm the setting has been saved.

##### Setting the Maximum Level

1. Whilst on, slowly adjust dimmer to your desired maximum brightness.
2. Push the rear setup button 5 times within 3 seconds.
3. The LEDs will step up and down in brightness once to confirm the setting has been saved.

##### Factory reset for Min/Max brightness

Please note this factory reset will reset all the min and max brightness settings.

1. Whilst on, push the rear setup button 7 times within 5 seconds.
2. The LEDs will step up and down in brightness three times to confirm that the min/max setting has been cleared.

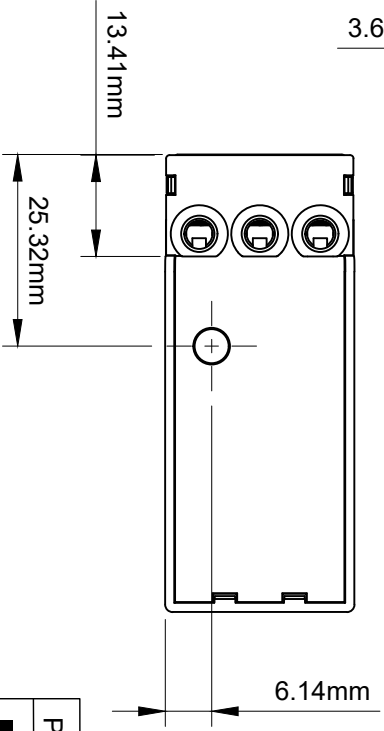
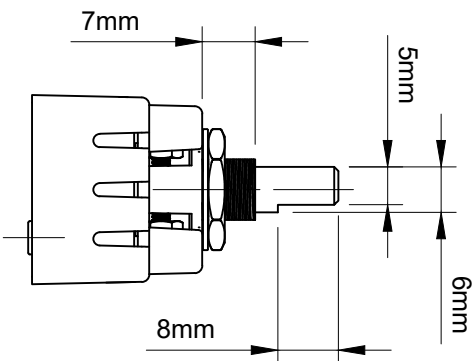
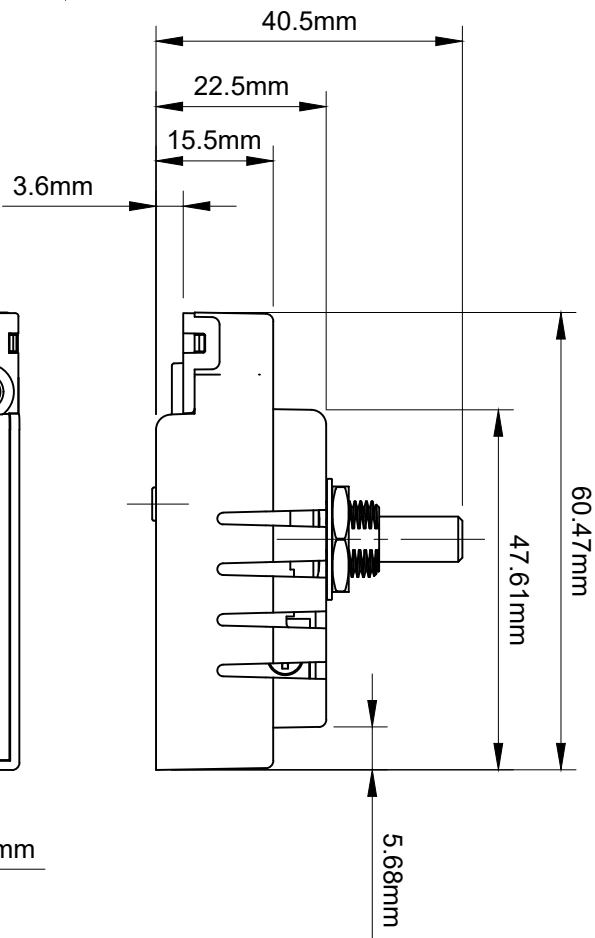
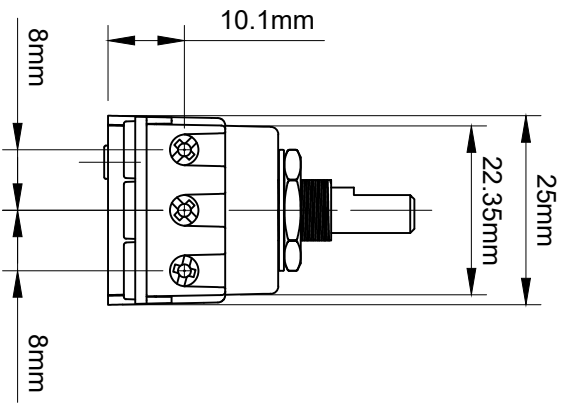
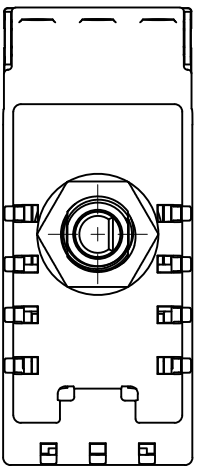
##### Changing the Dimming Mode

The default mode of the dimmer is Trailing Edge, but it can be put into Leading Edge if required. Please ensure that you know the correct mode for your lamp.

1. Whilst on, push the rear setup button 9 times within 5 seconds.
2. The LEDs will step up and down in brightness twice to confirm the setting has been changed to Leading Edge mode.

#### NOTE:

To switch back to Trailing Edge mode, just repeat the process again, the LEDs will step up and down once to show the dimmer is back in Trailing Edge mode.



PDM400 400W LED Intelligent Dimmer

**E N K I N**