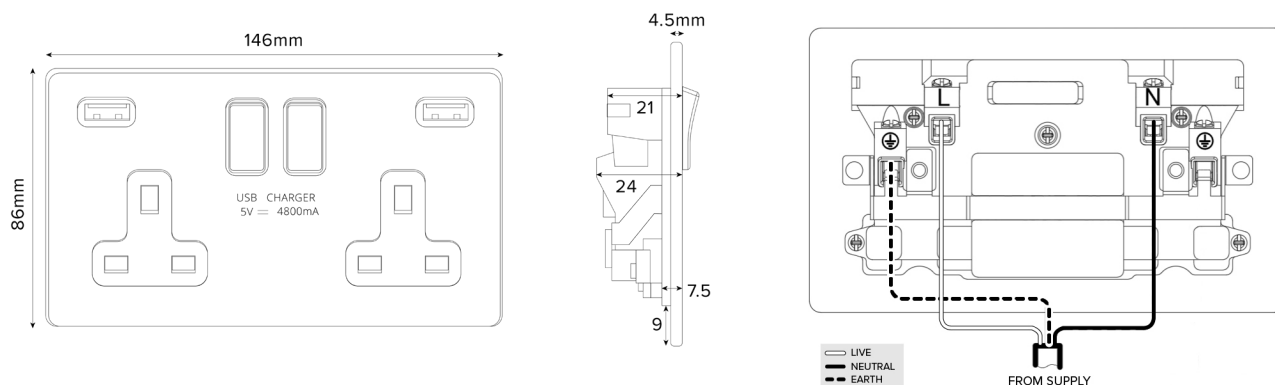


## 13A 2 Gang DP USB Socket (USB 4.8amp) - Traditional Plate



### TECHNICAL SPECIFICATION

Standard(s)	BS 1363-2, BS EN 62368-1, BS EN 62680-1-1
Voltage Rating	13 Amp, 250V <sup>~</sup>
USB Amperage	4.8 Amp
Contact Gap	Normal Gap
Mounting Box Depth (Min)	35mm
Terminal Capacity	3 x 2.5mm <sup>2</sup> , 3 x 4.0mm <sup>2</sup> , 2 x 6.0mm <sup>2</sup>
Earth Terminal Capacity	3 x 2.5mm <sup>2</sup> , 3 x 4.0mm <sup>2</sup> , 2 x 6.0mm <sup>2</sup>
Outlet Protection Shutter	Yes
Fixing Centres	120.6mm
Size	86mm x 146mm x 4.5mm (Plate thickness)
Product Class 1	Face plate must be earthed
Ambient Operating Temperature	-5° to +40°C
Recommended Location	Internal Use Only
Maximum Installation Altitude	2000m
IP Rating	IP2XD
Switched Poles	Double Pole
Mains Frequency	50hz - 60hz
Contact Gap Minimum	3mm
Trademarks	The Soho Lighting Company is a registered trade mark number: UK00003313349, EU017906396, Date: 25 May 2018