

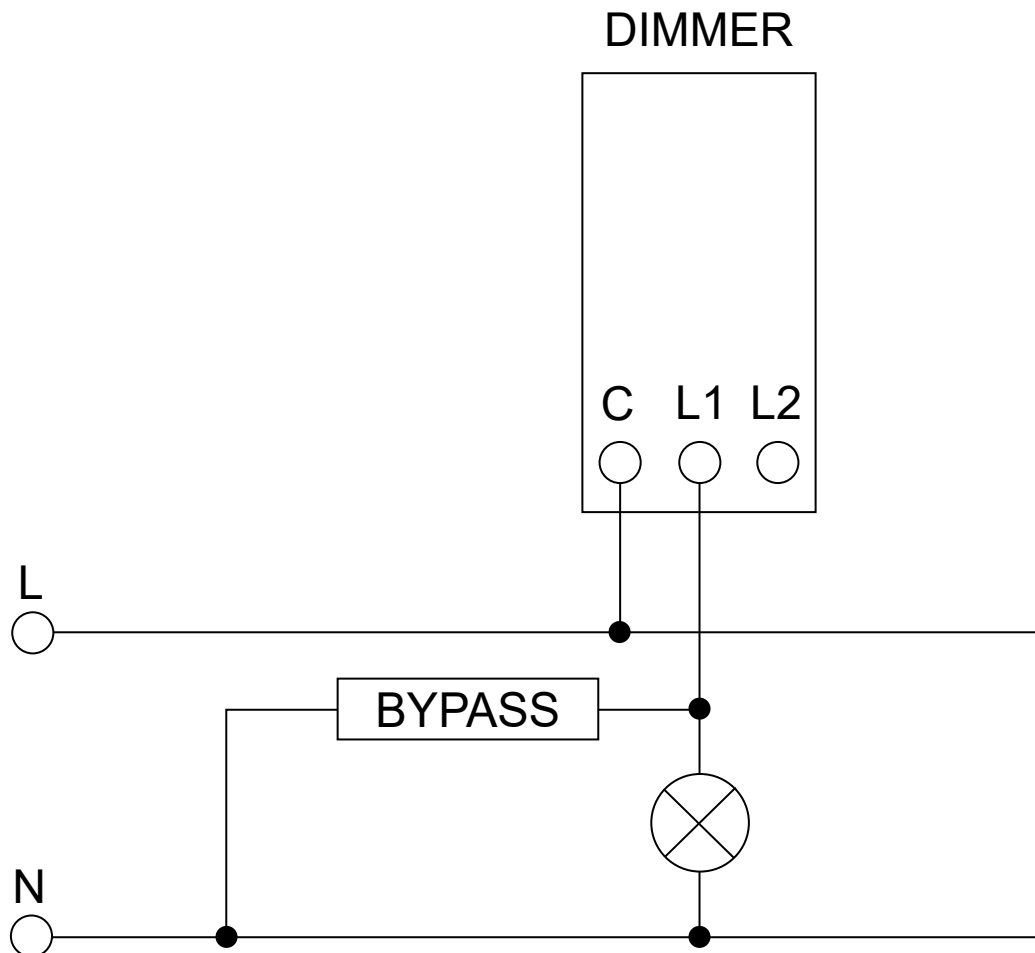
Markings & Standard(s)	BS EN 60669-2-1
Operating Voltage	220-240V AC
Main Frequency	50Hz
Max Power Consumption	1W
Operating Temperature	0°C to 40°C / 32°F to 104°F
Relative Humidity	8% to 80%
Product Dimensions	46mm x 19mm x 12mm
Climate Range	0°C to 40°C
Recommended Location	Indoor use only
Maximum Installation Altitude	2000m
IP Rating	IP2XD
Trademarks	Enkin is a registered trademark and trading name of Trade Ivy Ltd. Registered in England Number: 10809945. Copyright © 2024

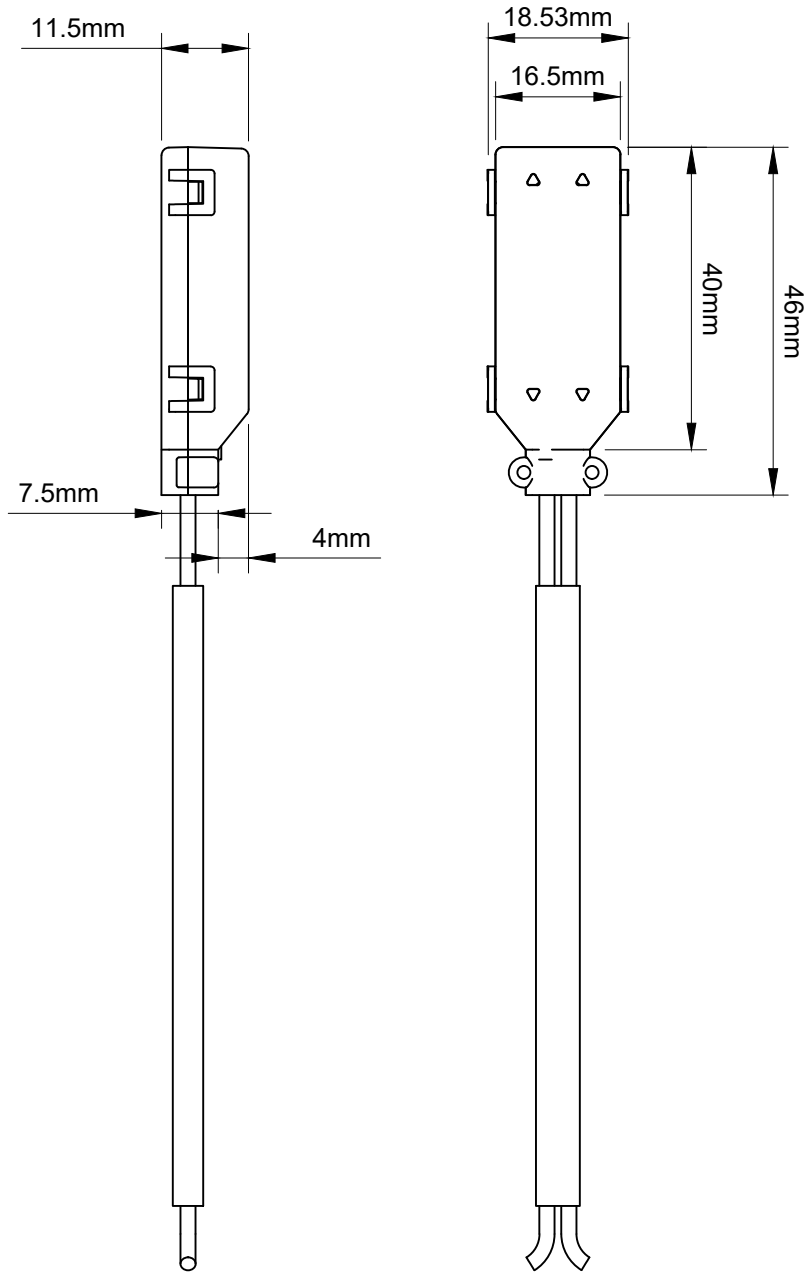


Operating Voltage	220-240 V
Nominal Operating Frequency	50 Hz
Max Power Consumption	1W
Operating Temperature	0°C to 40°C / 32°F to 104°F
Relative Humidity	8% to 80%
Compliance	BS EN 60669-2-1



WIRING EXAMPLES





Enkin - BYP001 - BYPASS MODULE

ENKIN®