


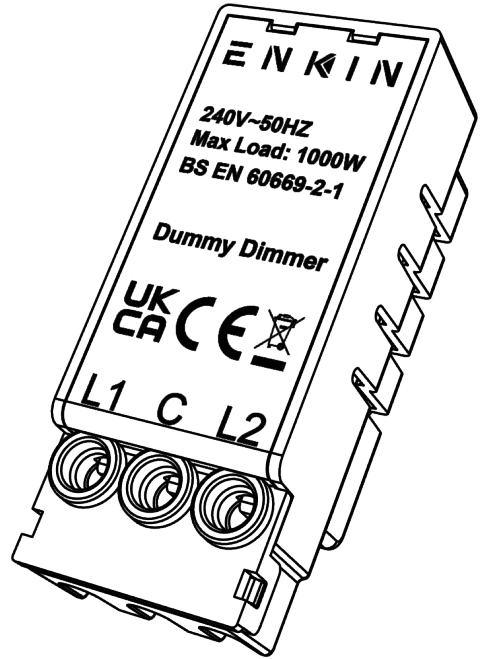


Markings & Standard(s)	CE, UKCA, BS EN 60669-2-1
Operating Voltage	220-240V AC
Main Frequency	50Hz
Minimum Load	N/A
Maximum Load	1000W
Switch Type	Two way
Dimming Protocol	N/A
Mounting Box Depth (Min)	25mm
Terminal Capacity	1 x 4mm ² / 1 x 2.5mm ² / 3 x 1.5mm ² / 4 x 1mm ²
Terminal Markings	C (Live), L1 (Switched Live), L2 (2-way)
Neutral Required	No
Short Circuit Protection	N/A
Overload/Overcurrent Protection	N/A
Thermal Protection	N/A
Soft Start	N/A
Power Failure	N/A
Memory	N/A
Min/Max Level Setting	N/A
Driving Mode	N/A
Product Dimensions	60.4mm x 40.5mm x 25mm
Climate Range	0°C to 40°C, Humidity 0% to 95% non-condensing
Recommended Location	Indoor use only
Maximum Installation Altitude	2000m
IP Rating	IP2XD
Trademarks	Enkin is a registered trademark and trading name of Trade Ivy Ltd. Registered in England Number: 10809945. Copyright © 2024



Operating Voltage	240V ac
Nominal Operating Frequency	50 Hz
Dimming Technique	N/A
Compliance	BS EN 60669-2-1

Load Symbol	Compatible Loads	Max Loads
	LED lighting	1000W
	240V Incandescent & Halogen lamps	1000W
	Low voltage lighting with electronic transformers	1000W

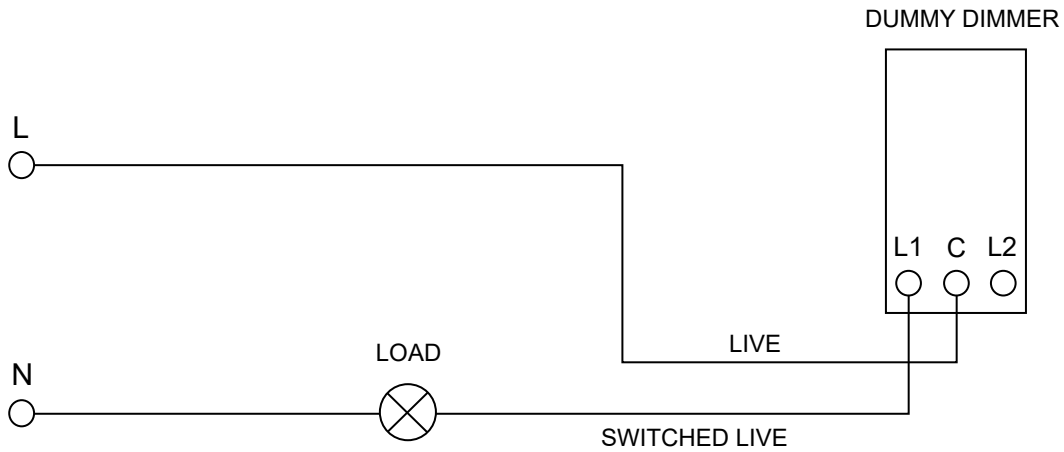


ON & OFF FUNCTION

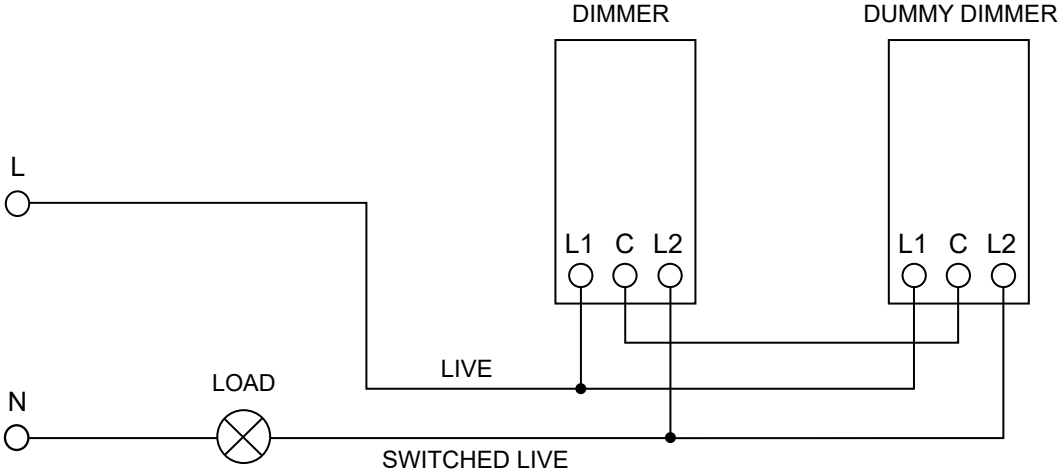
Dummy dimmer switch is activated by pressing the dimmer shaft.

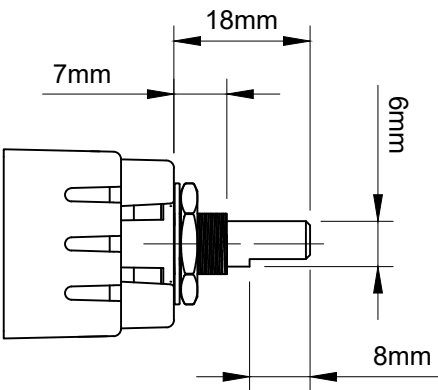
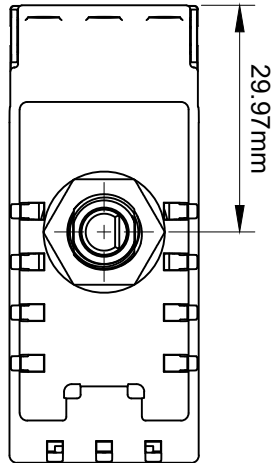
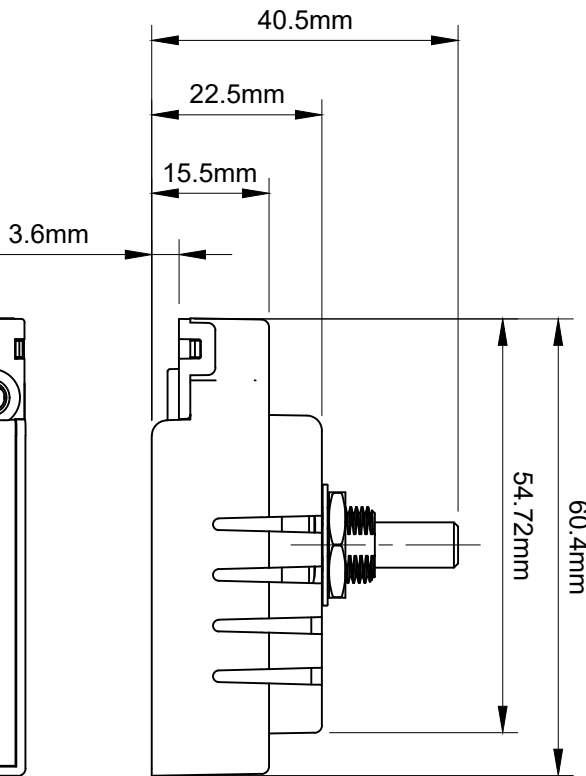
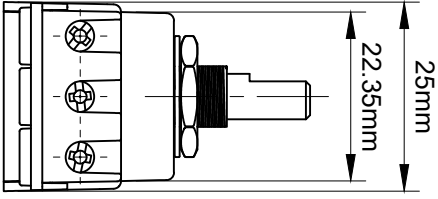
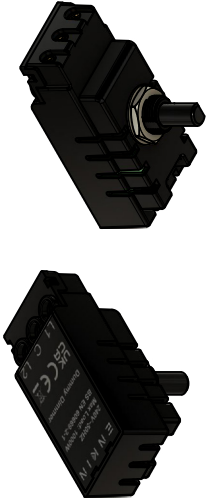
WIRING EXAMPLES

WIRING DIAGRAM - ONE WAY



WIRING DIAGRAM - TWO WAY





PDD200 Enkin Dummy Dimmer

ENKIN®